



UNDERBODY DRAWER

The Triple M Underbody Drawer is designed to fit seamlessly with all Triple M QuickLock Aluminium and Steel Bodies. The drawer is constructed using heavy duty galvanized steel and is capable of carrying loads up to 100kg.

The drawer is available in 3 sizes, and features an innovative incremental locking system, enabling the user to secure the drawer in an open position.

FEATURES

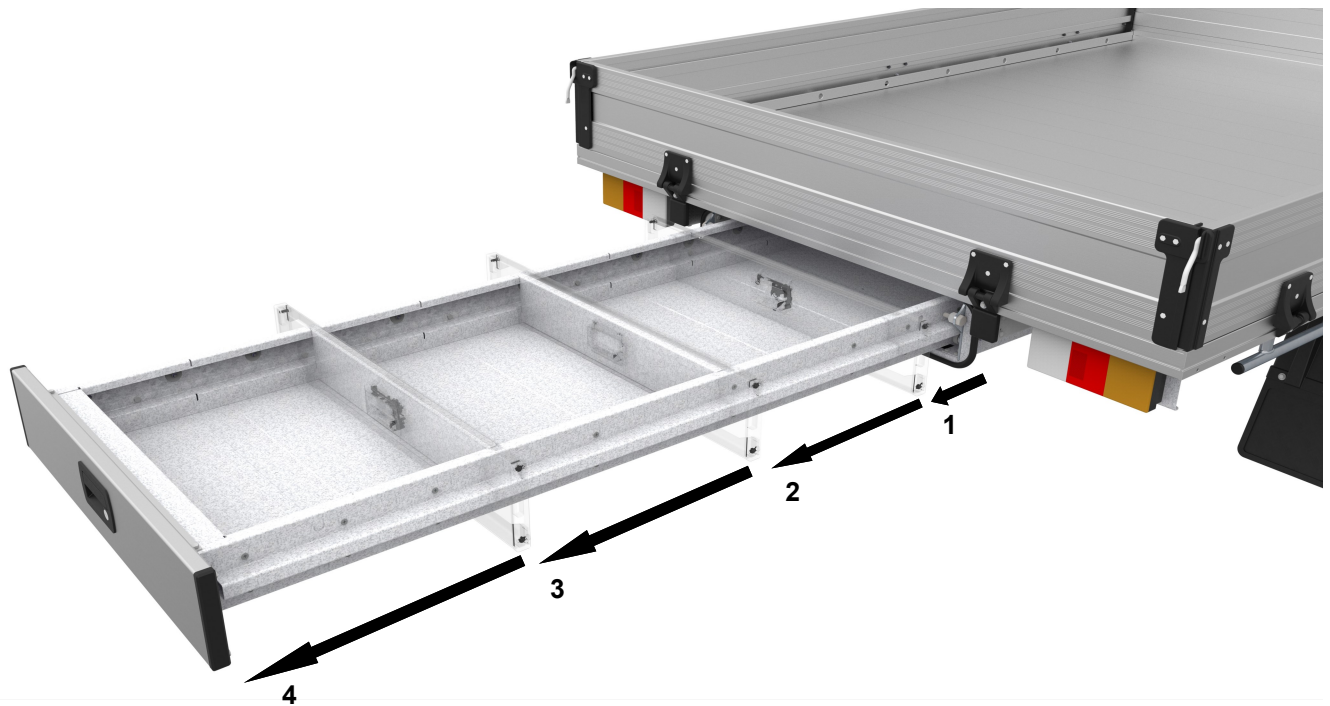
- Mounts directly to the main bearers of the traybody which reduces fitment time.
- Brushed 304 stainless steel fascia panel with a high quality black lockable paddle handle, operating a 2 point slam latch system.
- Fully enclosed box with rubber seal to provide water and dust resistance.
- 4 stage incremental locking system.
- Internal divider system.
- Low profile traybody mount kit to reduce the effect on deck height increase from the drawer.
- Heavy duty roller system running on a rigid bearing rail for maximum strength when fully extended.



ORDER CODES

- 9PEUD150 - Small (suits trays 1.65m up to 1.80m).
- 9PEUD180 - Medium (suits trays 1.95m up to 2.25m).
- 9PEUD210 - Large (suits trays 2.40m up to 2.70m).

4 STAGE INCREMENTAL LOCKING SYSTEM



GENERAL DIMENSIONS

Drawer Size	2100	1800	1500
Suitable for	Single Cab	Extra Cab	Dual Cab
Drawer Weight	118kg	103kg	88kg
A - Overall Length	2142mm	1842mm	1542mm
B - Internal Length of Drawer	2017mm	1717mm	1417mm
C - Drawer Opening	1640mm	1340mm	1040mm
D - Height of Fascia	180mm		
E - Height of Box	165mm		
F - Internal Height of Drawer	128mm		
G - Width of Fascia	894mm		
H - Width of Box	852mm		
I - Internal Width of Drawer	644mm		

